

# FOCUS

Focus

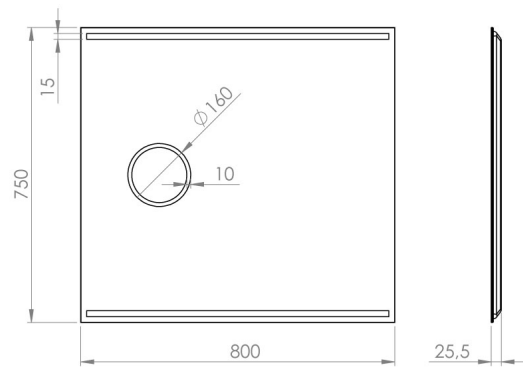
## PRODUCT HIGHLIGHTS

- Integrated make-up mirror with light for the daily routine
- Two slim light fields illuminate in front of the mirror
- Backlight creates atmosphere
- Hidden LED diodes provide soft and pleasant light
- Designed with simple assembly in mind and can be assembled by one person

## SPECIFICATIONS

IP-class

IP44



## SAFETY

**Safety class**

Class II (double insulated)

---