

# FOCUS MIRROR 800X750MM

3443459600 · Focus

## PRODUCT HIGHLIGHTS

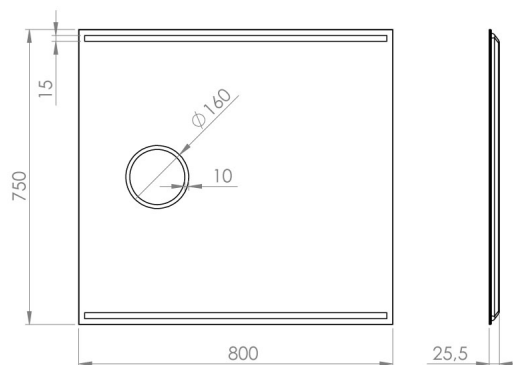
- Integrated make-up mirror with light for the daily routine
- Two slim light fields illuminate in front of the mirror
- Backlight creates atmosphere
- Hidden LED diodes provide soft and pleasant light
- Designed with simple assembly in mind and can be assembled by one person

## SPECIFICATIONS

<b>LED type</b>	SingleWhite
<b>Lifetime LED (hrs)</b>	30000
<b>Volt (Vac)</b>	230
<b>Wattage (total)</b>	37.4
<b>IP-class</b>	IP44
<b>CRI value</b>	>90
<b>Lumen (light source)</b>	3872
<b>LED farvetemperatur (Kelvin)</b>	3000
<b>Energy class (light source) G</b>	
<b>Safety film</b>	Yes
<b>Height (mm)</b>	750
<b>Width (mm)</b>	800
<b>Depth (mm)</b>	24.5
<b>Mirror glass thickness (mm)</b>	4mm

## PACKAGING AND WEIGHT

<b>Net weight (kg)</b>	7.65
<b>Gross weight (kg)</b>	10.25
<b>Packaging height (cm)</b>	6
<b>Packaging width (cm)</b>	87
<b>Packaging depth (cm)</b>	82
<b>Packaging weight (g)</b>	2300



## MATERIAL

<b>Color</b>	Mirror
--------------	--------

## SPECIFICATIONS EXTENDED

<b>Backlight</b>	Yes
<b>Frontlight</b>	Yes
<b>Built-in dimmer function</b>	No
<b>Cable length - input (m)</b>	1
<b>Connection</b>	Terminal
<b>Number of light sources</b>	2
<b>Light sources included</b>	Yes
<b>Mounting brackets included</b>	Yes
<b>Touch control</b>	No

## SAFETY

<b>Safety class</b>	Class II (double insulated)
<b>CE</b>	Yes
<b>EMC</b>	Yes
<b>LVD</b>	Yes
<b>RoHS</b>	Yes
<b>UKCA</b>	Yes
<b>REACH</b>	Yes